

HC101



## DESCRIPTION

Solenoid driven metering pump constant flow rate with stroke frequency control and adjustable volume per stroke via dedicated knobs.

Easy to set: two potentiometers and a LED. Level probe compatible.

- Analogue solenoid driven metering pump constant flow rate;
- Housing: PP;
- Level probe input
- Double pulse frequency range selection 0-100% or 0-
- Power supply 230VAC – 50/60Hz;
- On-Off switch;
- IP65 protection
- Analogue controls by knobs (frequency - volume each stroke) and one LED;
- Manual air bleed valve for quick priming
- Horizontal/tank mounting. (Wall mounting bracket available) optional



## STANDARDS

- no. 2004/108/CE EMC directive
- no. 2006/95/CE "DBT Low Voltage Directive"
- no. 2011/65/UE, 2012/19/UE "RoHs and WEEE directives"

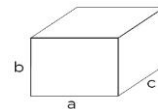
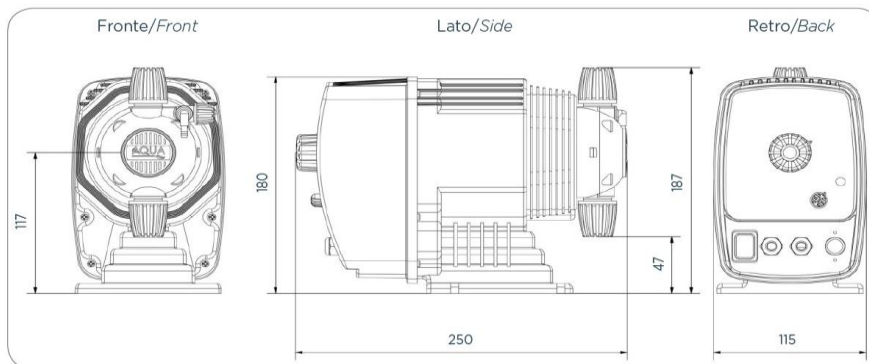


## TECHNICAL FEATURES

HC101	Standard Version	Upon Request
Pump head	PP	PVDF
Pump body	PP	-
Diaphragm	PTFE	-
Balls	Pyrex	PTFE; ceramica/ceramic
Body Valve	PP	PVDF
O-rings	Viton®	Dutral®
Spring loaded injection valve	Hastelloy/Pyrex	Hastelloy - PTFE/Hastelloy - ceramic
Injection fitting	PP	PVDF
Suction & air bleed tube	PVC	-
Delivery tube	PP	PTFE
Foot valve	PP	PVDF



## DIMENSIONS



a x b x c: 295 x 160 x 350 mm:  
Kg:2.97

Code	Model	Flow rate l/h	Pressure bar	No. of strokes spm	Injection volume ml/stroke	Consumption watt	Tubing IDxOD	Pump Body	Price £	B
AD1100000000	1	2	8	120	0.28	14	4x6	PP 1/2"	280.80	
		5	5		0.69					
		7	2		0.97					
AD1100300000	4	10	4	180	0.93	16	4x6	PP 1/2"	280.80	
		12	2		1.11					
		14	0		1.30					

Other pump out puts and pressures are available. Please contact us for further information



## INSTALLATION KIT

Code	Description	Price	C
ADSP6000078	PE delivery tube 4x6mm 2m length	£2.90	
ADSP6000546	PVC suction/bleed hose 4x6mm 2m length	£2.04	
ADSP6000001	Foot valve filter PP-VL-VT 4x6	£12.13	
ADSP6200007	Injection valve ball ½" PP-GL-VT 4x6	£16.55	



ADSP6000078 ADSP6000546



ADSP6000001 ADSP6200007

## ACCESSORIES & SPARE PARTS

Code	Description	Price	C
ADSPHC150	Wet end spares kit to suit HC101 dosing pump	£43.70	



ADSP6500063

Code	Description	Material	Price	C
ADSP6500063	HC-PP 1/2" Threaded x 3/8" tube hose connector set	PP	£5.89	
ADSP6500065	Lip injection valve 1/2" (Hose 4x6 or 3/8" specify)	PP-VT	£14.37	
ADSP6500064	HC-PP 3/8" Threaded x 3/8" tube hose connector set	PP	£7.20	



ADSLG4



ADSTF200

Code	Description	Price	B
ADSLG4	Level probe 2mt cable with foot filter bracket and bnc connector	£37.30	
ADSTF200	Vertical/wall mounting bracket	£27.57	

Code	Description	Overall Length mm	Adjustable Length mm	Connections	Tank Size litres	Connector	Price	B
ADLASM20B0	Low level suction lance	490	120-390	4x6mm	30	BNC*	£102.47	
ADLASM10B0	Low level suction lance	700	120-600	4x6mm	50-100	BNC*	£103.95	
ADLASM30B0	Low level suction lance	940	120-840	4x6mm	200-300	BNC*	£109.23	



ADLASM

Code	Description	Flow rate lt/h	Pressure bar	Connection	Price	C
ADSP9000100	Pump head HC150-151-897-997 PP-GL-VT	1-14	20	4x6mm	£53.45	
ADSP900P000	Pump head HC150/151-897-997 PVDF-PTFE-VT	1-14	20	4x6mm	£85.61	



ADSP9000100 ADSP900P000

Code	Model	Size (Øxh) mm	Volume (l)	Price	
ADTANK0025	PE tank (Rectangular)	340x250x355h	25	£68.50	B
ADTANK006	PE tank	425x500	50	£102.91	A
ADTANK010	PE tank	500x680	100	£137.19	A
ADTANK020	PE tank	655x795	200	£165.27	A
ADTANK030	PE tank	655x1030	300	£274.38	A



Code	Model	Size (Øxh) mm	Volume (l)	Price	
ADVSIC0025	PE Bund	425x300	25	£43.14	B
ADVSIC0025R	PE Bund	560x455x185h	25	£65.85	B
ADVSIC005	PE Bund	680x290	50	£99.78	A
ADVSIC010	PE Bund	810x350	100	£121.62	A
ADVSIC020	PE Bund	975x400	200	£149.67	A
ADVSIC030	PE Bund	940x630	300	£190.21	A



Code	Model	Price	B
PVCHOSE4/6	30 metre coil 4x6mm PVC hose	£19.25	
PEHOSE3/8	30 metre coil 3/8" MDPE hose	£41.00	
PEHOSE4/6	30 metre coil 4x6mm MDPE hose	£29.33	
PTFE4/6HOSE	4x6mm PTFE hose (Per metre)	£4.50	
PEHOSE4/6DW	Double wall 30 metre coil 4x6mm PE hose (Outer LDPE 10x12mm)	105.00	
PTFE4/6HOSEDW	Double wall 30 metre coil 4x6mm PTFE hose (Outer LDPE 10x12mm)	230.00	



PE HOSE



PVC HOSE